

1-3/4" - 4-3/4" I.D. for Straight, Bent and Drill Pipe Tubes

Forward swing arm heads, components and (ordering numbers).

Recommended spare parts: cone cutters and cutter pins, cutter arms and arm pins.

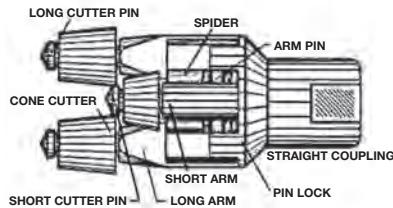


Figure 1: Shown with head coupling for straight tubes.

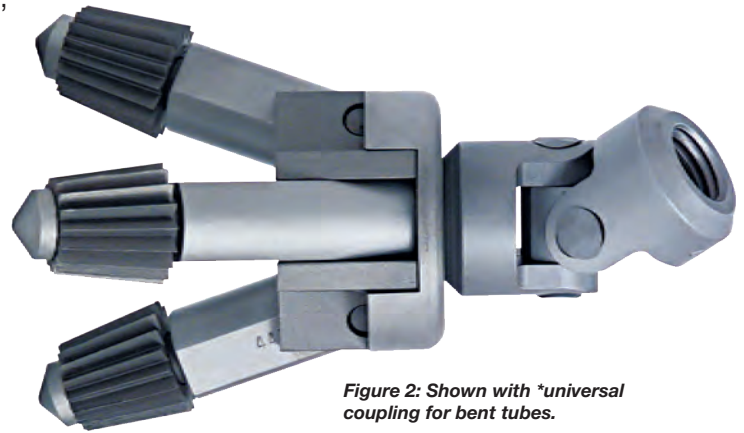


Figure 2: Shown with *universal coupling for bent tubes.



Head Number	Tube I.D.	Closed	Expands To	Spider	Figure	Long Arm (qty.)	Short Arm (qty.)	*Universal/**Head Cpl.	Cpl. Tap	Long Cutter Pin (qty.)	Short Cutter Pin (qty.)	Arm Pin (qty.)	Pin Lock (qty.)	Cone Cutter (qty.)	Cyl. Cutter (qty.)	No. of Arms
1840 (4050700)	1-3/4"	1-1/2"	2-1/8"	1841 (1049800)	1	1842 (1) (1049900)	1842 A (1) (1050000)	-	5/8" N.C.	1834 (1) (1049600)	1834 A (1) (1049700)	1845 (2) (1050100PT)	1846 (1050202)	337 (2) (1025700)	338 (3) (1025905)	2
1840 B (4050800)	2-1/4"	1-1/2"	2-1/8"	1841 (1049800)	2	1842 (1) (1049900)	1842 A (1) (1050000)	*4151 (4095600)	5/8" N.C.	1834 (1) (1049600)	1834 A (1) (1049700)	1845 (2) (1050100PT)	1846 (1050202)	337 (2) (1025700)	338 (3) (1025905)	2
2340 (4051400)	2"	1-7/8"	3"	2341 (1054000)	1	1832 (1) (1049400PT)	1832 A (1) (1049500PT)	*4151 (1717435)	5/8" N.C.	1834 (1) (1049600)	1834 A (1) (1049700)	2345 (2) (1054300)	2346 (1054400)	337 (2) (1025700)	338 (3) (1025905)	2
4440 (4055200)	2"	1-7/8"	3"	2341 (1054000)	2	1832 (1) (1049400PT)	1832 A (1) (1049500PT)	*4151 (4095600)	5/8" N.C.	1834 (1) (1049600)	1834 A (1) (1049700)	2345 (2) (1054300)	2346 (1054400)	337 (2) (1025700)	338 (3) (1025905)	2
4470 (4055400)	2-5/16"	2"	3-7/8"	4471 (1082200)	2	4472 (3) (1082300)	-	*4151 (4095600)	5/8" N.C.	4474 (3) (1082400)	-	4475 (3) (1082500)	4476 (1082600)	C 19 (3) (1214100)	-	3
4470 A (4055500)	2-5/16"	2"	3-7/8"	4471 (1082200)	1	4472 (3) (1082300)	-	*2383 B (1055600)	3/4" N.C.	4474 (3) (1082400)	-	4475 (3) (1082500)	4476 (1082600)	C 19 (3) (1214100)	-	3
3370 (4054400)	2-1/4"	2-1/4"	3-5/8"	3371 (1075500)	2	3372 (3) (1075600)	-	*3551 (4095400)	3/4" N.C.	3374 (3) (1075700)	-	3375 (3) (1075800)	3376 (1075900)	637 (3) (1028800)	-	3
3370 A (4054500)	2-3/4"	2-1/4"	3-5/8"	3371 (1075500)	1	3372 (3) (1075600)	-	*2043 7/8 (1052600)	7/8" N.C.	3374 (3) (1075700)	-	3375 (3) (1075800)	3376 (1075900)	637 (3) (1028800)	-	3
3270 (4054000)	3"	2-1/2"	4"	3271 (1071700)	2	3472 (2) (1076100)	3272 (2) (1071800)	*3551 (4095400)	7/8" N.C.	3474 (2) (1076200)	3274 (2) (1071900)	3275 (2) (1072000)	3276 (1072200)	1047 (2) (1041700)	2837 (2) (1064600)	4
3270 A 7/8 (4054100)	3"	2-1/2"	4"	3271 (1071700)	1	3472 (2) (1076100)	3272 (2) (1071800)	*2043 7/8 (1052600)	7/8" N.C.	3474 (2) (1076200)	3274 (2) (1071900)	3275 (2) (1072000)	3276 (1072200)	1047 (2) (1041700)	2837 (2) (1064600)	4
970 (4049900)	3-1/4"	2-3/4"	4-7/8"	971 (1039000)	1	972 (2) (1039100)	972 A (2) (1039200)	*543 7/8 (1027300)	7/8" N.C.	974 (2) (1039300)	974 A (2) (1039400)	975 (4) (1039500)	976 (4) (1039600)	637 (4) (1028800)	-	4
970 B (4050000)	3-1/4"	2-3/4"	4-7/8"	971 (1039000)	2	972 (2) (1039100)	972 A (2) (1039200)	*551 (4094000)	7/8" N.C.	974 (2) (1039300)	974 A (2) (1039400)	975 (4) (1039500)	976 (4) (1039600)	637 (4) (1028800)	-	4
770 (4048700)	3-1/2"	3"	4-3/4"	771 (1033000)	1	772 (2) (1033200)	772 A (2) (1033300)	*873 A (1035400)	7/8" N.C.	774 (2) (1033500PT)	774 A (2) (1033600)	775 (4) (1033800)	776 (1033900)	747 (4) (1031700)	-	4
770 B (4048800)	3-1/2"	3"	4-3/4"	771 (1033000)	2	772 (2) (1033200)	772 A (2) (1033300)	*1151 (4094400)	7/8" N.C.	774 (2) (1033500PT)	774 A (2) (1033600)	775 (4) (1033800)	776 (1033900)	747 (4) (1031700)	-	4
870 (4049300)	3-1/4 - 4"	3-3/8"	5-1/8"	871	1	772 (2) (1033200)	772 A (2) (1033300)	*873 A (1035400)	7/8" N.C.	774 (2) (1033500PT)	774 A (2) (1033600)	875 (4)	876	747 (4) (1031700)	-	4
870 B (4049400)	3-1/4 - 4"	3-3/8"	5-1/8"	871	2	772 (2) (1033200)	772 A (2) (1033300)	*1151 (4094400)	7/8" N.C.	774 (2) (1033500PT)	774 A (2) (1033600)	875 (4)	876	747 (4) (1031700)	-	4
770 SA (4049000)	4-3/4"	2-3/4"	5-1/2"	771 S (1033100)	1	772 S (4) (1033400)	-	*543 7/8 (1027300)	7/8" N.C.	774 S (4) (1033700)	-	775 (4) (1033800)	776 S (4) (1034000)	747 (4) (1031700)	-	4
770 S	4-3/4"	2-1/4"	5-1/2"	771 S (1033100)	2	772 S (4) (1033400)	-	*551 (4094000)	7/8" N.C.	774 S (4) (1033700)	-	775 (4) (1033800)	776 S (4) (1034000)	747 (4) (1031700)	-	4

* Universal coupling. Refer to Figure 2 and column 9 for ordering.

** Optional head coupling is available for certain models. Refer to Figure 1.