

## Extreme Environment Impacts



**750SS**  
**3/4" Impact Wrench**

Offers one of the industry's highest power-to-weight ratio. Featuring a stainless steel hammer case and a twin hammer design for increased durability. Constructed with non-corrosive materials for prolonged field life. 100% Made in the USA.

Square Drive .....	3/4"
Free Speed. ....	4600 RPM
Max. Torque .....	1700 ft.-lbs.
Rec'd Hose Size .....	3/8"
Length .....	.9"
Weight .....	13.5 lbs.
Air Inlet .....	1/2"
Avg. Air Consumption .....	.58 cfm



**751SS**  
**1" Impact Wrench**

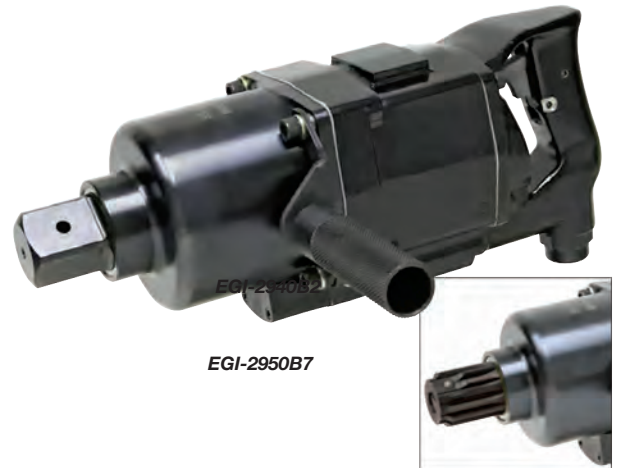
Offers one of the industry's highest power-to-weight ratio. Featuring a stainless steel hammer case and a twin hammer design for increased durability. Constructed with non-corrosive materials for prolonged field life. 100% Made in the USA.

Square Drive .....	1"
Free Speed. ....	4600 RPM
Max. Torque .....	1700 ft.-lbs.
Rec'd Hose Size .....	3/8"
Length .....	.9"
Weight .....	13.5 lbs.
Air Inlet .....	1/2"
Avg. Air Consumption .....	.58 cfm

## Heavy-Duty Impacts



EGI-2940B2



EGI-2950B7

Features a twin hammer clutch for more power per pound, a pressure fed clutch lubrication system, two piece motor housing for easy maintenance, a built-in muffler for low noise and direct drive for fast run down.

SPECIFICATIONS	EGI-2940B2	EGI-2940B1 #5 SPLINE	EGI-2950B7	EGI 2950B1
<b>Shank Size</b>	1" Sq. Through-Hole	#5 Spline	1-1/2" Sq. Through-Hole	#5 Spline
<b>Handle Type</b>	Inside Trigger	Inside Trigger	Inside Trigger	Inside Trigger
<b>Torque Range</b>	1600-2000 ft.-lbs.	1600-2000 ft.-lbs.	2500-3000 ft.-lbs.	2500-3000 ft.-lbs.
<b>Length</b>	12-13/32"	12-13/32"	14-1/2"	14-1/2"
<b>Weight</b>	22 lbs.	22 lbs.	33 lbs.	33 lbs.
<b>Air Inlet Thread</b>	1/2"	1/2"	1/2"	1/2"
<b>Avg. Air Consumption</b>	.58 cfm	.58 cfm	.70 cfm	.70 cfm