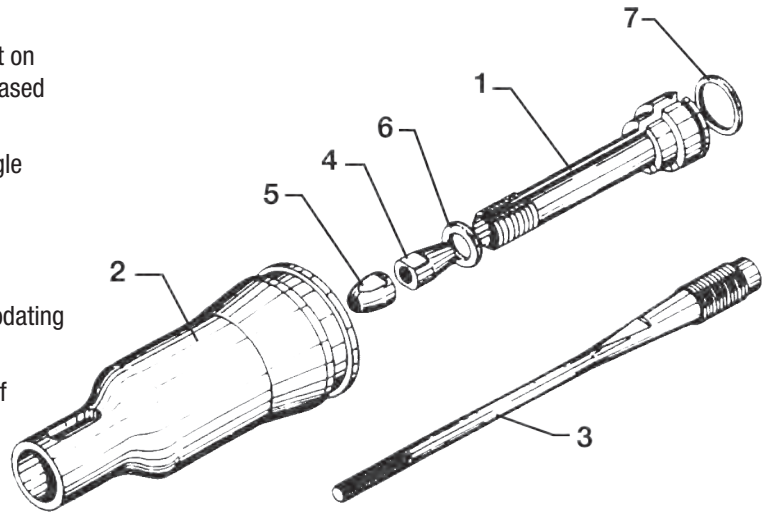


ATP III Gripper Kit

ATP III & PATP III Gripper Kit Components

Features of the ATP III Tube Pulling System include:

- Free-floating gripper design results in uniform contact on the tube ID for better pulling characteristics and increased durability.
- Grippers are segmented, allowing replacement of single gripper segment in the event of tooth breakage.
- Grippers bite uniformly into the tube I.D. as the piston retracts, pulling the tube from the sheet.
- Grippers are available from 5/8" through 1" accommodating a wide range of tube gages.
- Optional 18" extension kit provides a useful method of removing hard-to-reach tubes.



Tube Size (O.D.)		Tube Gauge	Part Number	Gripper Kit* Order Number	1 Gripper Complete** Order Number	2 Nose Bushing	3 Draw Rod	4 Expansion Nut	5 Lock Nut	6 Front O-ring	7 Rear O-ring
in.	mm										
0.625	15.9	16-18	ATP-9022-568	5520782	5520793	ATP -9042-5/8 (2991245)	ATP -9034-5/8 (2991237)	ATP -9035-5/8 (2991238)	ATP -9036-5/8 (2991239)	200-9 (3105400)	RTV-65 (3094500)
0.625	15.9	20-22	ATP-9022-522	5520783	5520794						
0.750	19.1	14-15	ATP-9022-34	5520784	5520795	ATP -9014-3/4 (2991218)	ATP -9015-3/4 (2991224)	ATP -9016-3/4 (2991226)	ATP -9017-3/4 (2991227)	2-113 (3010453)	900-83 (3220900)
0.750	19.1	16-18	ATP-9022-368	5520785	5520796						
0.750	19.1	20-22	ATP-9022-322	5520786	5520797						
0.875	22.2	12-14	ATP-9022-724	5520787	5520798	ATP -9027-7/8 (2991232)	ATP -9037-7/8-1 (2991240)	ATP -9038-7/8-1 (2991241)	ATP -9039-7/8-1 (2991242)	2-113 (3010453)	900-83 (3220900)
0.875	22.2	16-18	ATP-9022-768	5520788	5520799						
0.875	22.2	20-22	ATP-9022-722	5520789	5520800						
1.000	25.4	12-14	ATP-9022-124	5520790	5520801	ATP -9041-1 (2991244)	ATP -9037-7/8-1 (2991240)	ATP -9038-7/8-1 (2991241)	ATP -9039-7/8-1 (2991242)	2-113 (3010453)	900-83 (3220900)
1.000	25.4	16-18	ATP-9022-168	5520791	5520802						
1.000	25.4	20-22	ATP-9022-122	5520792	5520803						

* Gripper Kit consists of 3 gripper segments, one nose bushing, one draw rod, one expansion nut, one lock nut, and both O-Rings.

** Gripper Complete consists of 3 Gripper Segments and both O-Rings.