

MiniMill 300GFF

Ideal for gasket seat machining of any size of fin fan cooler. A standard machine is equipped with a cutter head and a special locking system to fit your application. The machine locks directly into the plug thread.

STANDARD SET UP



GASKET FINFAN SET
Supplied with 20 mm shaft, one set of jaws to suit plug thread diameter, pilot and gasket seat milling head. Plug size details must be provide by customer with order.

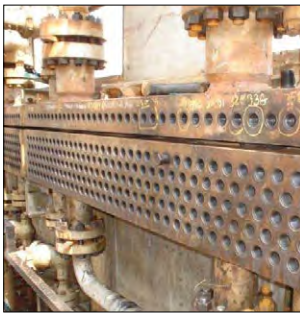


Custom machined jaws. Showing locked and up-locked position.



STANDARD WORKING RANGE		FEED STROKE	FREE SPEED	POWER	TORQUE		
APPLICATION RANGE (ID-OD)	LOCKING RANGE (ID)						
12 TPI	Suit to thread of the plug	20 mm	300 Rpm	1,3 Hp	43 Nm		
1,125 - 2,125"		0,787"			32 Ft.Lbs		
AIR USE		BODY WIDTH		BODY HEIGHT		BODY WEIGHT	
55 cfm	1,3 m ³ /min	2,32"	59 mm	13,1"	335 mm	13,2Lbs	6 kg

EXAMPLE TOOL APPLICATION



FinFan cooler before a maintenance



Plug hole before re machining the gasket seat



Safely re-machine gasket surfaces in seconds.

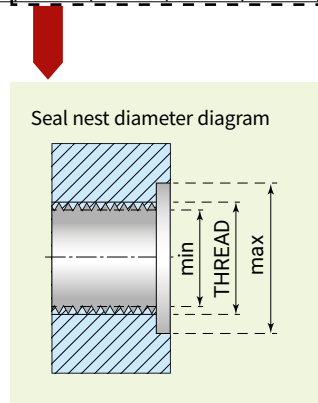


All types of water box materials can be machined with the carbide inserts of the MiniMill 300 GFF.

GASKET SEAT FACING HEADS AND JAWS NUMBERS

HEAD TYPE	PLUG SIZE			SEAL NEST DIAMETER				INSERT	NO. OF INSERTS	JAWS SET NUMBER	PLUG SIZE			PILOT
	[INCH]	[MM]	TPI	MIN [INCH]	MAX [INCH]	MIN [MM]	MAX [MM]				[INCH]	[MM]	TPI	
FFGSMH-1125	1,125	28,58	12	0,940	1,496	24,00	38,00	CI 5x5	4	701MM #36-1-1/8-GFF	1,125	28,575	12	PGFF-1125
FFGSMH-1250	1,250	31,75	12	1,063	1,614	27,00	41,00	CI 5x5	4	703MM #36-1-1/4-GFF	1,250	31,750	12	PGFF-1250
FFGSMH-1350	1,375	34,93	12	1,220	1,772	31,00	45,00	CI 5x5	4	705MM #36-1-3/8-GFF	1,375	34,925	12	PGFF-1350
FFGSMH-1500	1,500	38,10	12	1,339	1,890	34,00	48,00	CI 5x5	4	707MM #36-1-1/2-GFF	1,500	38,100	12	PGFF-1500
FFGSMH-1625	1,625	41,27	12	1,457	2,008	37,00	51,00	CI 5x5	4	709MM #36-1-5/8-GFF	1,625	41,275	12	PGFF-1625
FFGSMH-1750	1,750	44,45	12	1,590	2,140	40,40	54,40	CI 5x5	4	711MM #36-1-3/4-GFF	1,750	44,450	12	PGFF-1750
FFGSMH-1875	1,875	47,62	12	1,720	2,270	43,60	57,60	CI 5x5	4	713MM #36-1-7/8-GFF	1,875	47,625	12	PGFF-1875

Other sizes on request. If plug holes are damaged beyond repair, our MiniDrill 55 can be used to upsize them to the next size. Example - 1-1/8" to 1-3/8".



OTHER OPTIONAL ACCESSORIES



FAST CLAMPING SYSTEM

System offers rapid tube to tube cycle time, increased productivity (up to 4x) with little operator fatigue. Ideal for large amount of end preps.